

FF-130RH/SH

MABUCHI MOTOR

貴金属ブラシ

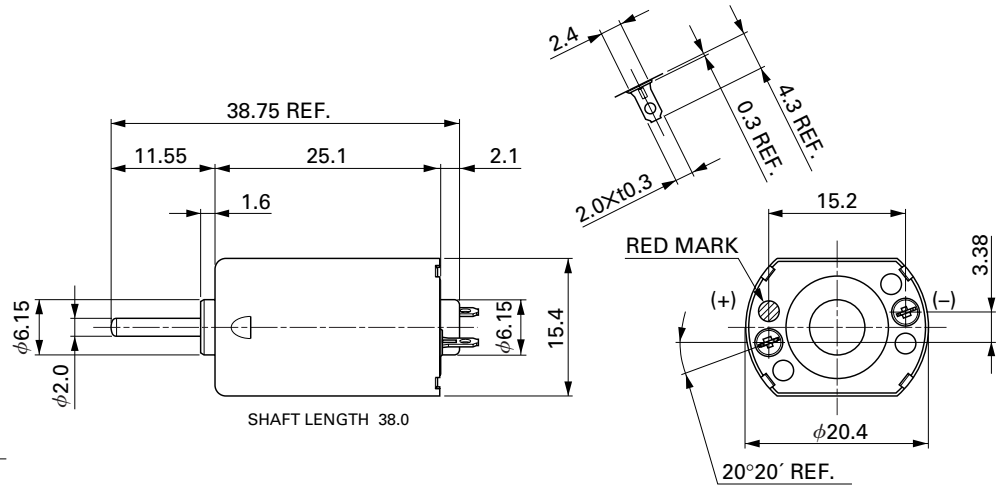
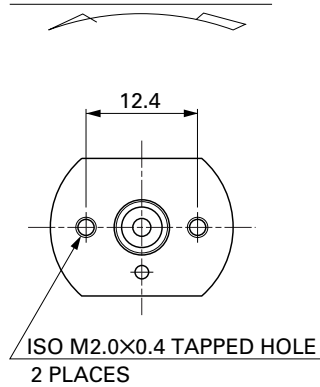
OUTPUT : 0.08W~3.3W (APPROX)

WEIGHT : 24g (APPROX)

代表的用途 OA機器:CD/DVD-ROMドライブ
音響・映像機器:CDプレーヤー/カーナビゲーション

MODEL	VOLTAGE		NO LOAD		AT MAXIMUM EFFICIENCY				STALL			
	OPERATING RANGE	NOMINAL	SPEED r/min	CURRENT A	SPEED r/min	CURRENT A	TORQUE mN-m	TORQUE g-cm	OUTPUT W	TORQUE mN-m	TORQUE g-cm	CURRENT A
FF-130RH-15210	1~4	3V CONSTANT	5400	0.045	4280	0.17	0.57	5.8	0.26	2.74	28	0.65
FF-130SH-11340	3~12	7.5V CONSTANT	6100	0.033	4920	0.14	1.06	10.9	0.55	5.49	56	0.57
FF-130SH-14230	2.5~10.0	3V CONSTANT	3600	0.037	2850	0.14	0.74	7.5	0.22	3.53	36	0.53

DIRECTION OF ROTATION

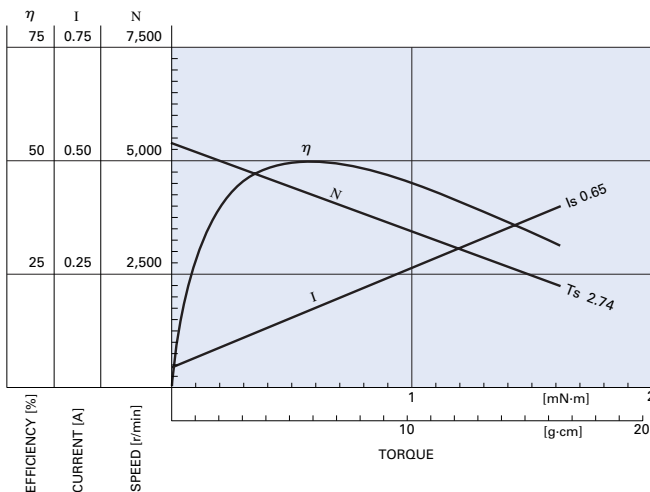


取付けネジの長さはモータケース面より2.0以下

UNIT: MILLIMETERS

FF-130RH-15210

3.0V



FF-130SH-11340

7.5V

