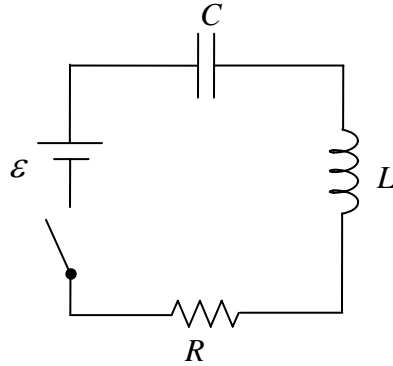
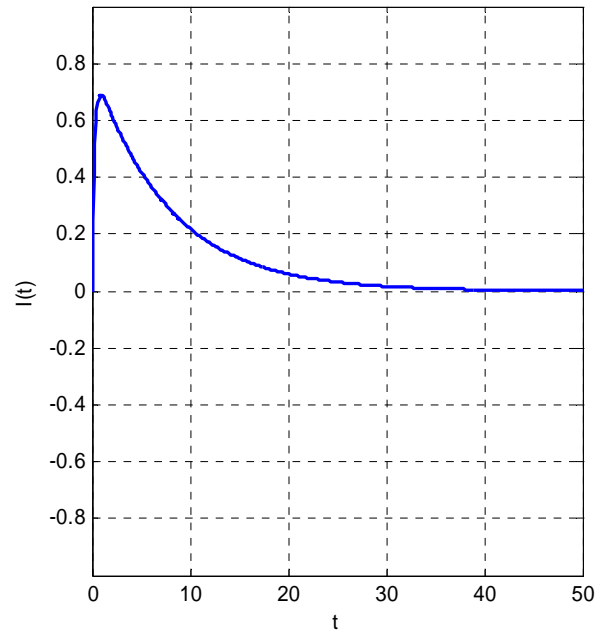
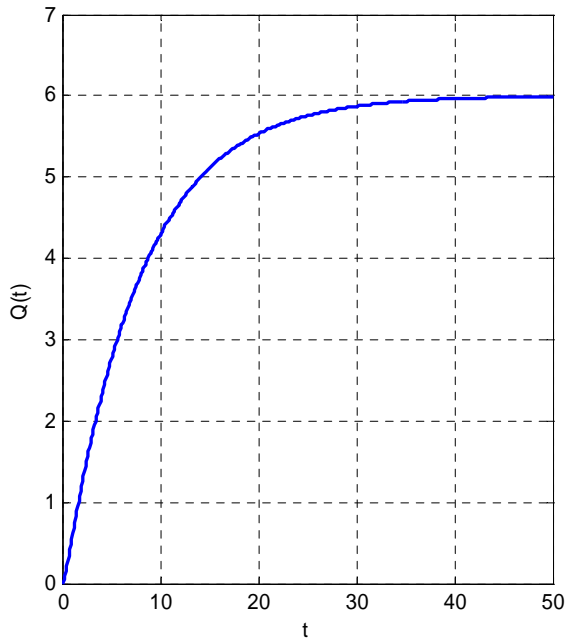


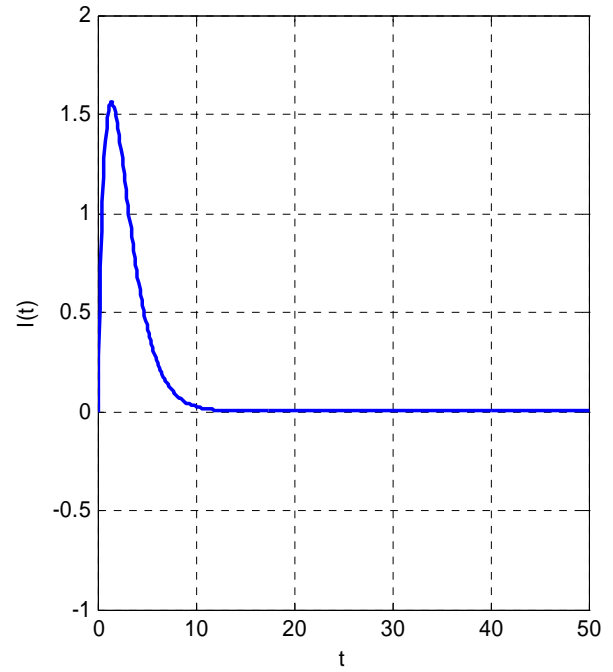
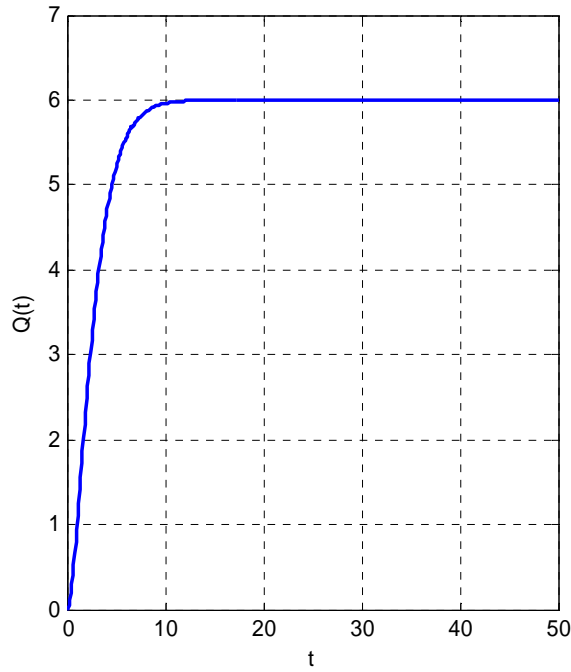
# RLC Circuits (constant EMF)



$R = 4\Omega$ ,  $L = 1\text{H}$ ,  $C = 2\text{F}$ ,  $\varepsilon = 3\text{V}$  (overdamped)



**$R = \sqrt{2} \Omega$  ,  $L = 1\text{H}$  ,  $C = 2\text{F}$  ,  $\varepsilon = 3\text{V}$  (critically damped)**



**$R = .3\Omega$  ,  $L = 1\text{H}$  ,  $C = 2\text{F}$  ,  $\varepsilon = 3\text{V}$  (underdamped)**

