

Hover Hand Fall Quarter Design Review

Austin Dorotheo, Steven Fields, Colin
Garrett, Miclos Lobins, Zachary Meyer



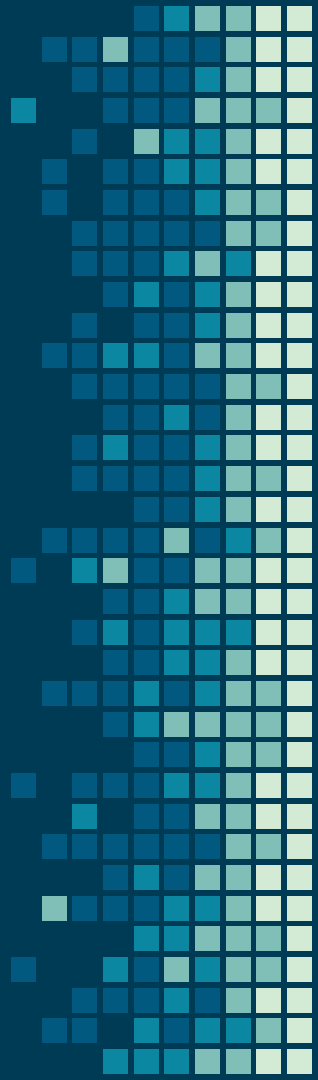
Introduction

What is the Hover Hand glove?

- Glove that turns the hand into a quadcopter remote controller

What does a quadcopter remote controller do?

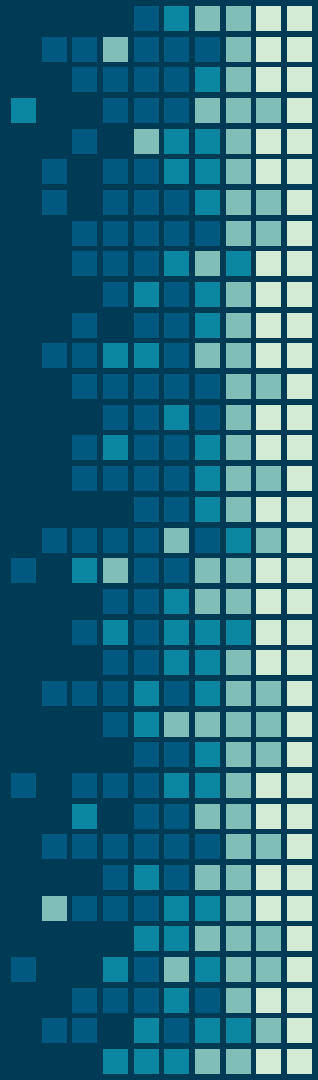
- Sends information to the quadcopter to tell it where to go
 - Throttle
 - Yaw
 - Pitch
 - Roll



Introduction

How does it work?

- 5 Inertial Measurement Units on the hand for sensing hand movements
 - 4 IMUs on fingers, with exception being the ring finger
 - 1 IMU on the top of the hand
- FRSky DHT 2.4GHz Antenna for establishing connection and communicating with the quadcopter



Hover Hand Team

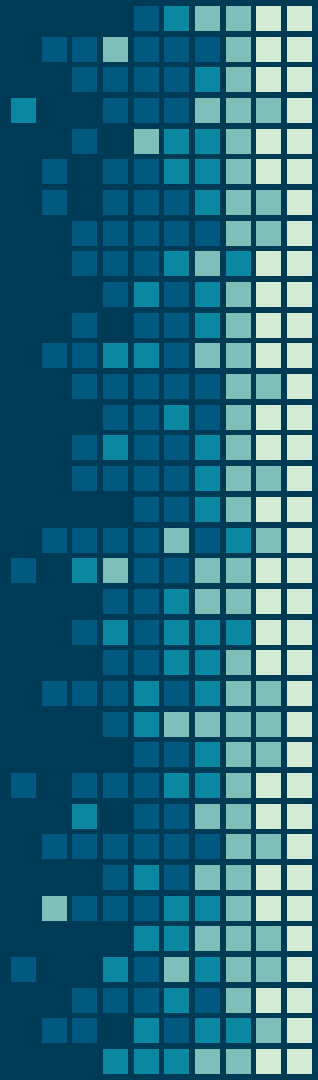
Zachary Meyer - Project Lead, Parts Selection,
Hardware/Software Interfacing

Austin Dorotheo - Software Development

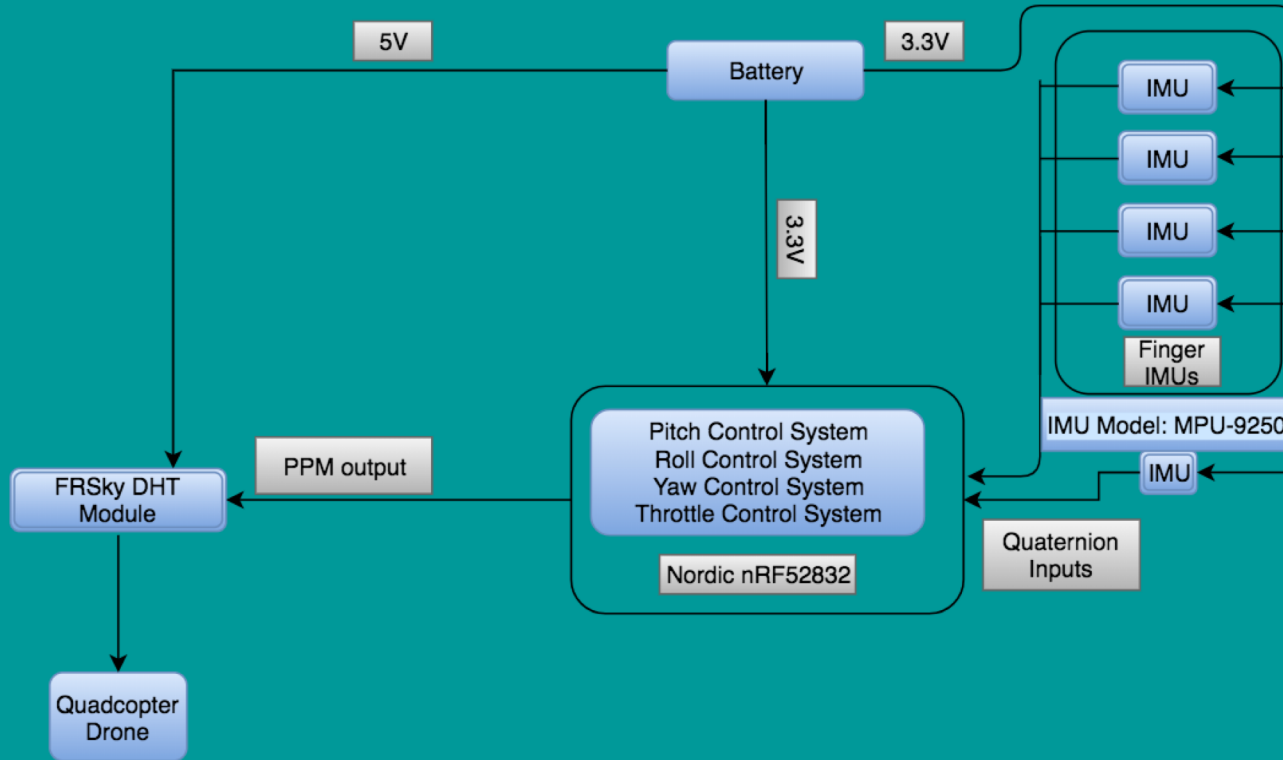
Steven Fields - Hardware Development, PCB/Schematic
design

Colin Garrett - Hardware Development

Miclos Lobins - Software Development



High Level Block Diagram



Bill of Materials

\$116.72 spent on parts

A	B	C	D
Designator	Manufacturer Part Number	Quantity	Description
U5	MPU-9250	1	Inertial Measurement Unit
U2	TCA9548APWR	1	Multiplexer
J1,J2,J3,J4,J5,J7	640456-4	6	4-pin jumpers
J6	S2B-PH-SM4-TB(LF)(SN)	1	JST connector for battery
D1	VLMR51Z1AA-GS08	1	Red LED
R1	ESR03EZPF1502	1	15k
R2,R3,R4	ESR03EZPJ103	3	10k
R5,R6,R7,R8,R9,R10,R11,R12,R13,R14,R15R16,R33,R34	ESR03EZPJ472	14	4.7k
R17	ESR03EZPJ205	1	2M
R18,R20	ESR03EZPF2203	2	220k
R19	ESR03EZPJ125	1	1.2M
R23	ESR03EZPJ202	1	2k
C1,C2,C3	C0603C104K8RACTU	3	.1uF
C6	CL10A226MQ8NRNC	1	22uF
L1,L2	LQM18FN100M00D	2	4.7uH
B1,B3	LT1300CN8#PBF	2	3.3V voltage booster
B2,B4	MBRS130LT3G	2	schottky diode
C4,C7	GRM21BR60J107ME15L	2	100uF
U1	BL652-SA-01	1	nrF52832

Parts

Nordic nRF52832

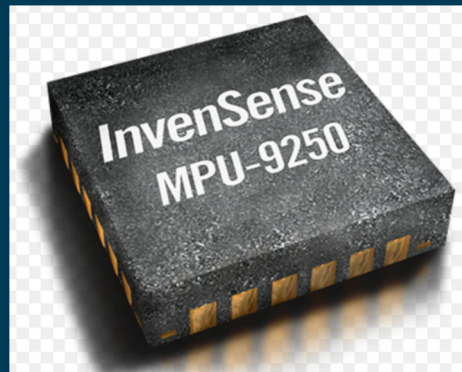
- ARM Cortex M4 Microprocessor
- 64 MHz Clock Speed
- 512KB Flash
- 64KB RAM
- 1.8V-3.6V input supply
- 2.4 GHz transceiver
 - Supports Bluetooth Low Energy
 - RSSI



Parts

MPU-9250

- 9-axis IMU
- Contains 2 chips
 - MPU-6500
 - 3-axis gyroscope and accelerometer
 - Onboard Digital Motion Processor(with quaternion outputs)
 - AK 8963
 - 3-axis digital compass
 - Supports I²C and SPI



Parts

FRSky DHT 2.4GHz Transmitter

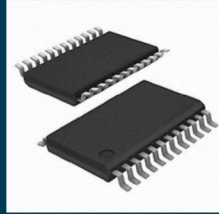
- Takes PPM input
- Bind button to connect to quadcopter
- Switch to change version of FRSky protocol 2-way vs. 1-way
- Handles much of the heavy lifting involved with RF Transmission



Parts

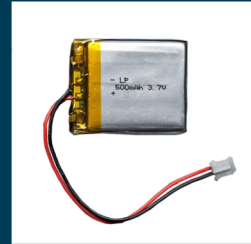
TI TCA9548APWR

- Multiplexer for I²C devices
- 8 Devices supported



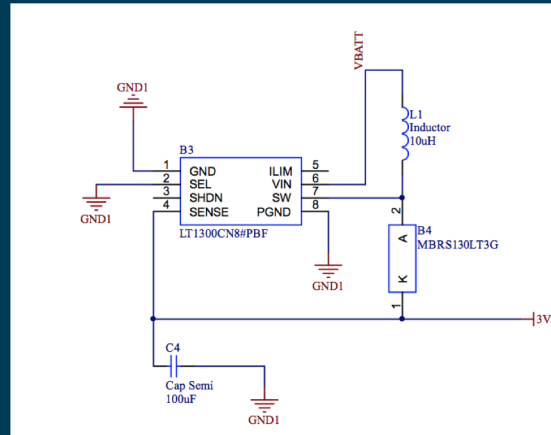
Adafruit Lithium Ion Battery

- 500mAh capacity
- 3.7V output



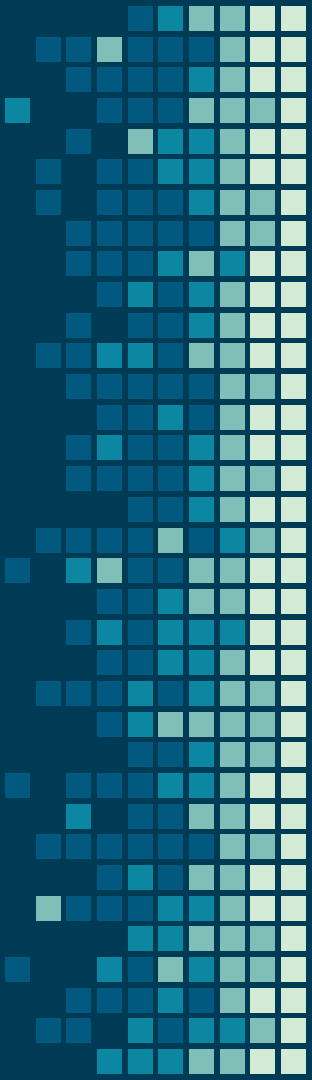
LM1300 Voltage Converter

- Two used to convert to 3.3V and 5V

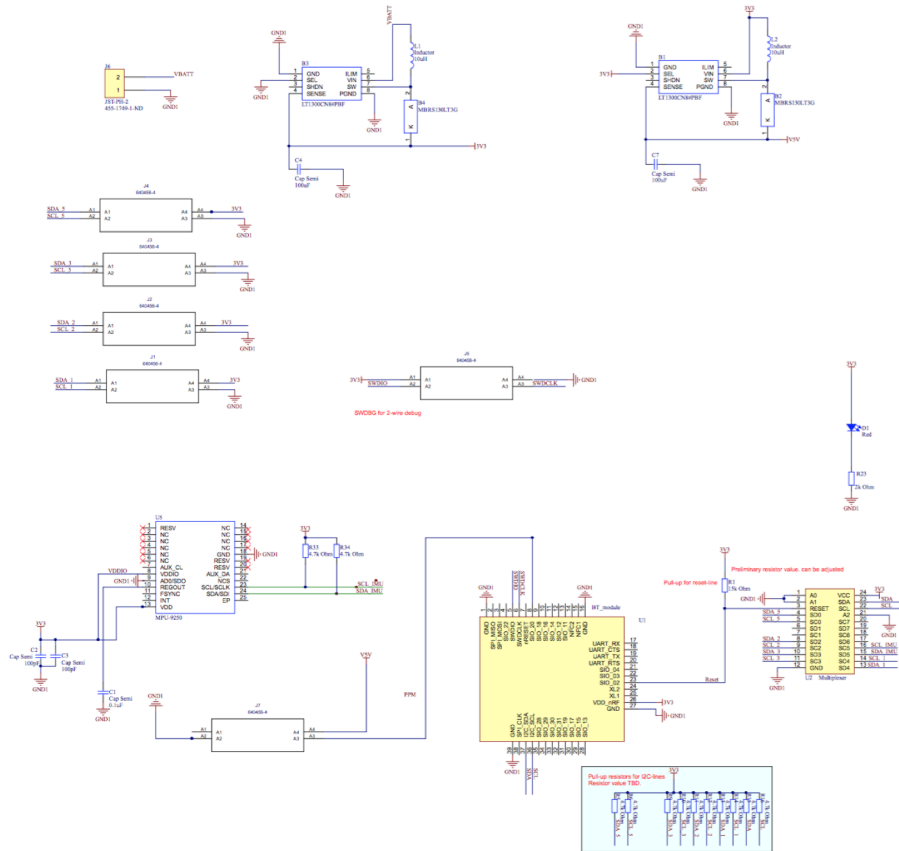


Power Distribution

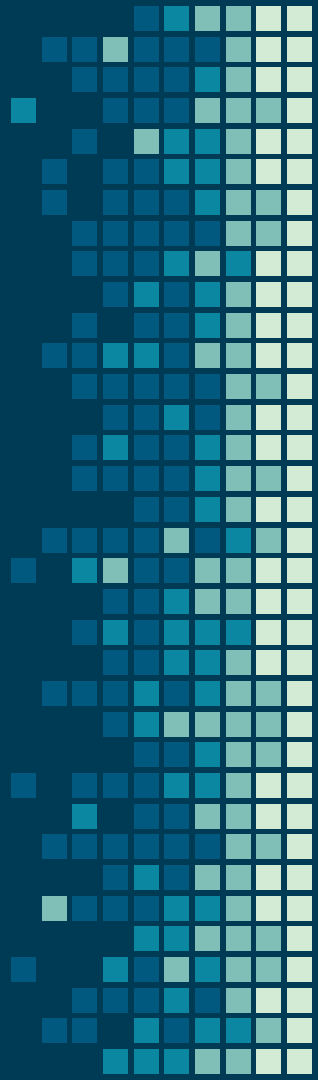
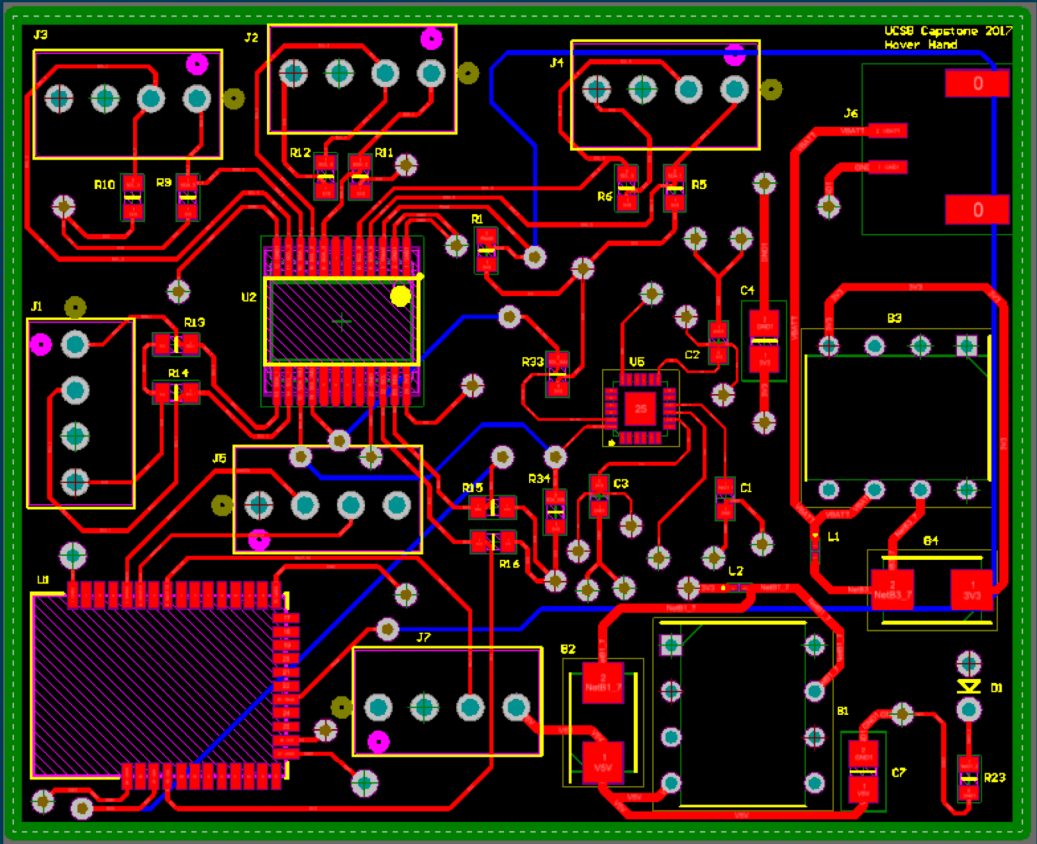
- 3.7V Battery will be regulated to 3.3V and 5V
- No analog devices, so not necessary for different power planes of the same voltage
- Nearly all components Powered by 3.3V
 - Processor
 - IMU
 - Multiplexer
- FRSky RF module is the only component powered by 5V



Schematic



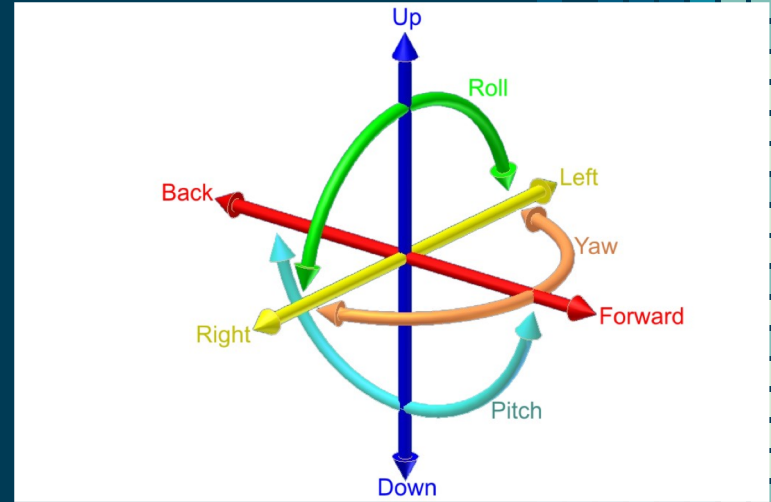
PCB



Software Development

Control Algorithms

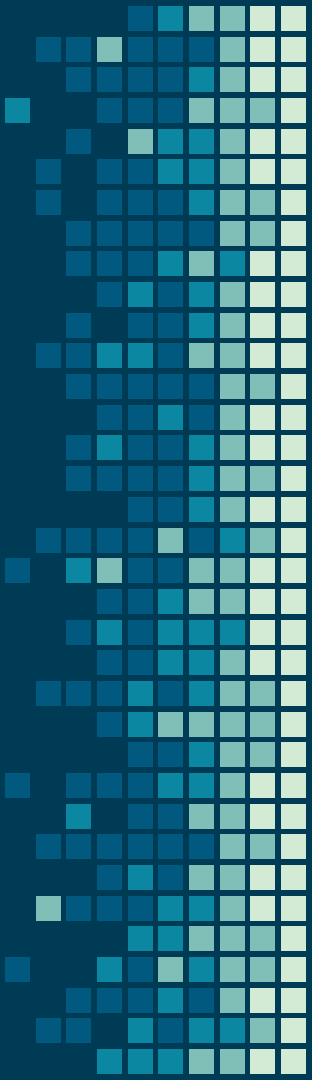
- Four main inputs to quadcopter:
 - Roll
 - left/right angular hand movement
 - Pitch
 - forward/back angular hand movement
 - Yaw
 - left/right hand movement across the wrist
 - Throttle
 - upward/downward movement of the middle finger alone



Software Development

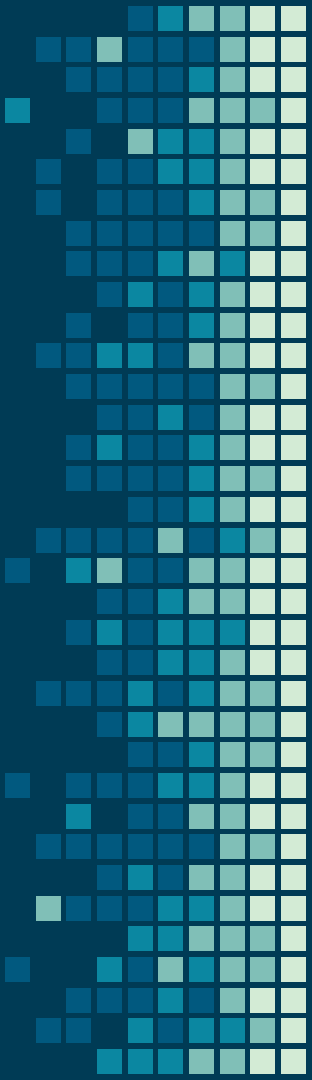
Signal Flow

- Quaternion inputs received from IMUs
 - Converts quaternions to Euler angles using algorithms
 - Used to calculate yaw, pitch and roll
- Yaw, pitch, roll, throttle converted to PPM signal
 - Values converted to quadcopter range
 - Range for quadcopter: 1000-2000
 - PPM output to GPIO pin
 - DHT transmitter converts PPM signal to FRSky RF protocol
 - FRSky flight controller receives signal



Conclusion

- Prototype PCB is out for production & assembly
 - Should be completed and sent to us in the next week
- Plans for Winter and Spring
 - Ensure valid operation of the prototype glove
 - We plan to do a respin with an updated design
 - Replace outdated parts with newly released parts
 - nRF52832->nRF82840
 - MPU-9250->ICM-20948
 - Change parts from the first prototype that were limiting board size such as the voltage converters and jumpers
 - Remove FRSky RF module and use bluetooth connection, which is built into the nRF52840
 - We will need to add a bluetooth receiver to the quadcopter and most likely change signal output from PPM to accommodate the new method of communication
 - Tune Software algorithms using first prototype glove
 - Test bluetooth Tx/Rx design using first prototype glove
 - Implement special gestures for actions such as hovering in place, or emergency shutdown



Thanks to:

Yogananda Isukapalli, Capstone Instructor

Celeste Bean, TA

Caio Motta, TA

Arveng Technologies, Sponsor

Thank you for your contributions as well as making this possible!

